

Petri Dishes

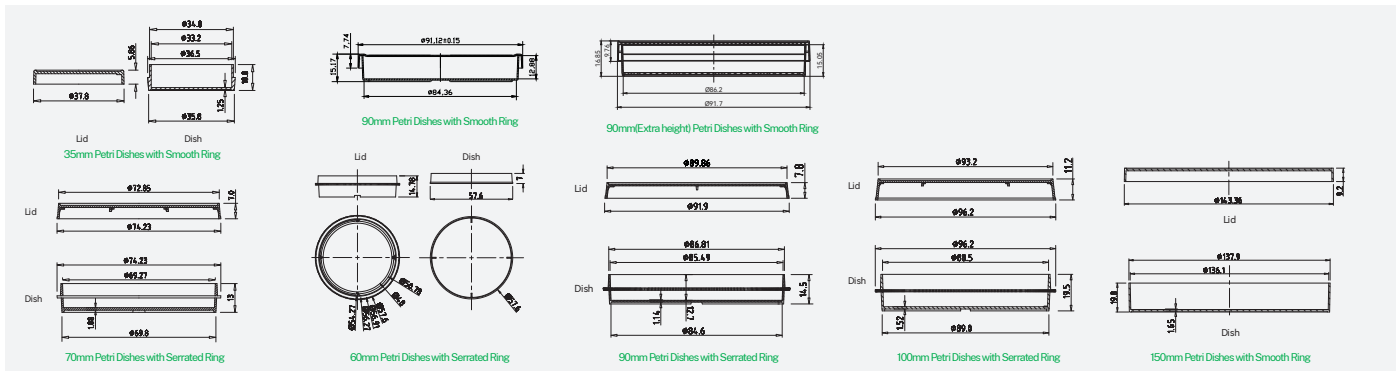
Petri dishes are the most basic and commonly used culture tools in microbiological laboratories for culturing bacteria and fungi. JET BIOFIL's disposable petri dishes are made from high-quality polystyrene (PS), featuring uniform thickness, high transparency, and a flat, smooth bottom for easy observation of colony morphology. They are available in various sizes to meet the needs of laboratory cultures and automatic media dispenser.

Specification: 35 mm 60 mm 70 mm 90 mm 90 mm (Extra height) 100 mm 150 mm
 Materials: Polystyrene (PS), conforming to USP Class VI standards



Features

- ◆ Dishes have uniform thickness, high transparency and a flat, smooth bottom for easy observation of colony morphology
- ◆ Available in various dimensions to meet different microbiological experiment and production needs
- ◆ Features a positioning ring design for stable and space-saving stacking of dishes
- ◆ Dish cover has three air-permeable edges, allowing gas exchange while ensuring a sterile condition
- ◆ Φ 90 mm Petri dishes with standard height provide smoother pushing on plate filling production lines; the 90 mm Petri dish with extra height facilitate more stable rotation on a media dispenser carousel
- ◆ Sterilized by irradiation (SAL 10⁻⁶) or Aseptic (Manufactured in Class 100,000 cleanrooms) both available
- ◆ DNase/RNase-free, non-pyrogenic



Petri Dishes with Serrated Ring

Cat. No.	Dimension (mm)	Height (mm)	Weight (g)	Sanitary Level	Qty. Per Bag	Qty. Per Case
MCD000060	Φ 60	17.3	8.8	SAL 10 ⁻⁶	10	600
MCD000070	Φ 70	15.5	13.7	SAL 10 ⁻⁶	10	600
MCD000090	Φ 90	16.9	20.9	SAL 10 ⁻⁶	10	500
MCD000100	Φ 100	22.6	29.5	SAL 10 ⁻⁶	10	300

Petri Dishes with Smooth Ring

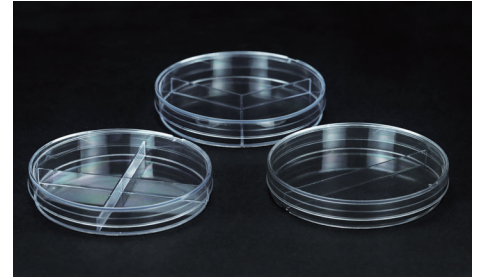
Cat. No.	Dimension (mm)	Height (mm)	Weight (g)	Sanitary Level	Qty. Per Bag	Qty. Per Case
MCD000035	Φ 35	12.6	4.1	SAL 10 ⁻⁶	10	960
MCD100090	Φ 90	15.2	13.0	Aseptic	20	500
MCD110090	Φ 90	15.2	13.0	SAL 10 ⁻⁶	20	500
MCD111090	Φ 90	15.2	13.0	SAL 10 ⁻⁶	10	500
MCD300090	Φ 90 (Extra Height)	16.9	15.1	Aseptic	20	500
MCD310090	Φ 90 (Extra Height)	16.9	15.1	SAL 10 ⁻⁶	20	500
MCD000150	Φ 150	22.7	60.8	SAL 10 ⁻⁶	1	120
MCD100150	Φ 150	22.7	60.8	SAL 10 ⁻⁶	5	100

* MCD110090、MCD111090: provide smoother pushing on plate filling production lines
 MCD300090、MCD310090: facilitate more stable rotation on a media dispenser carousel

Height: total height that combines cap and dish

Partitioned Petri Dishes

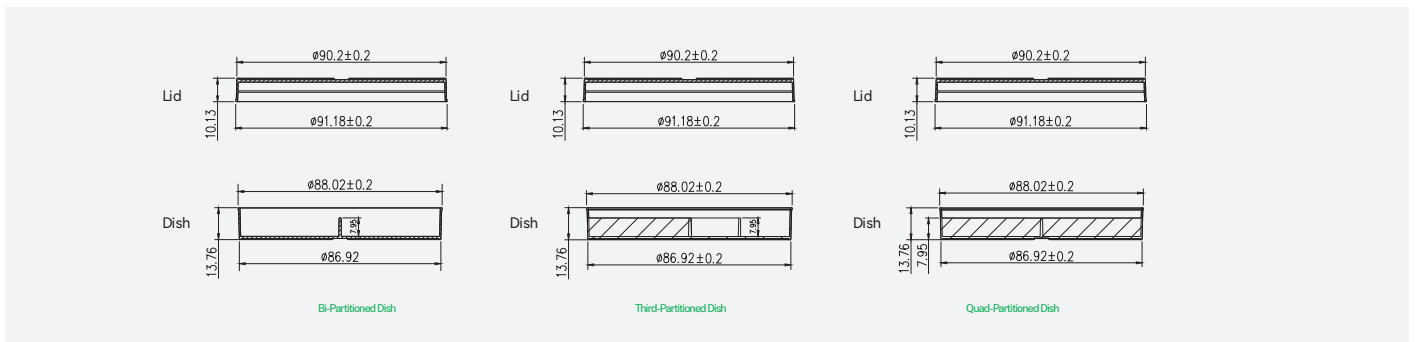
Partitioned Petri dishes are designed based on Φ 90 mm standard Petri dishes, featuring a divided structure that allows simultaneous cultivation of multiple microorganisms. This design makes it convenient for researchers to observe and compare the growth characteristics of different microorganisms. JET BIOFIL's partitioned Petri dishes are manufactured with injection molding process, ensuring sturdy partition walls that are not easily detached and providing excellent compartmentalization. Various specifications are available to meet different needs for segregated microbial cultivation and observation.



Specification: Bi-Partitioned Third-Partitioned Quad-Partitioned
 Materials: Polystyrene (PS), conforming to USP Class VI standards

Features

- ◆ Injection molding processed, with sturdy partition walls that are not easily detached
- ◆ Partition walls providing excellent compartmentalization, enabling the cultivation of multiple microorganisms while effectively preventing cross-contamination
- ◆ Features a positioning ring design for stable and space-saving stacking of dishes
- ◆ Sterilized by irradiation (SAL 10^{-6}), DNase/RNase-free, non-pyrogenic



Cat. No.	Dimension (mm)	Partition	Height (mm)	Recommended Volume Per Partition (mL)	Weight (g)	Sanitary Level	Qty. Per Bag	Qty. Per Case
MCD001090	Φ 90	2	15.5	6-8	17.8	SAL 10^{-6}	20	500
MCD002090	Φ 90	3	15.5	4-6	18.0	SAL 10^{-6}	20	500
MCD003090	Φ 90	4	15.5	3-4	19.3	SAL 10^{-6}	20	500

Height: total height that combines cap and dish



Contact Plate

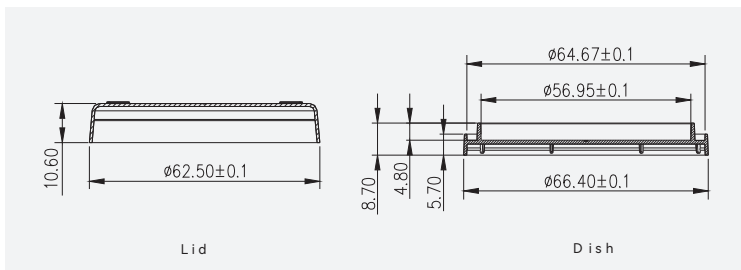
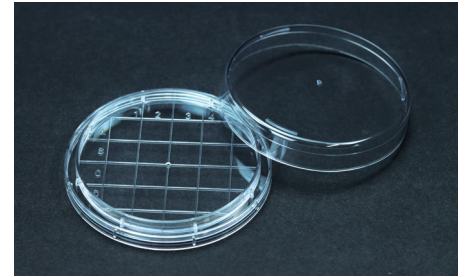
Contact plate is a specialized type of Petri dish used for microbiological testing, primarily used to verify the quantity and types of microorganisms on surfaces. JET BIOFIL's contact plate is made from premium PS material, with uniform thickness and high transparency. The product is widely used in industries such as pharmaceuticals and food for microbial testing in clean environments.

Specification: 60 mm

Materials: Polystyrene (PS), conforming to USP Class VI standards

Features

- ◆ Made from premium PS material with uniform thickness and high transparency, allowing for easy observation of colony morphology
- ◆ The raised bottom design, which shapes the agar medium, facilitates convenient surface sampling ①
- ◆ The grippable edges design enables easy handling during operation ②
- ◆ Flat-bottom design, with counting grids (10×10 mm) and numerical indicators for subsequent colony counting and recording
- ◆ The side features multiple reinforcing ribs, achieving a tighter seal that prevent parts falling off when inverted ③
- ◆ Sterilized by irradiation (SAL 10⁻⁶), DNase/RNase-free, non-pyrogenic



Cat. No.	Diameter(mm)	Inside Height (mm)	Weight (g)	Sanitary Level	Qty. Per Bag	Qty. Per Case
MCD001060	Φ 60	14.5	8.4	SAL 10 ⁻⁶	20	1080

Height: total height that combines cap and dish

